



Local and international students in campus

International Symposium on Green and Sustainable Technology (ISGST) 2014

The Centre for Environment and Green Technology (CEGT) under the Faculty of Engineering and Green Technology (FEGT) organised the International Symposium on Green and Sustainable Technology (ISGST) at Perak Campus from 30 September until 3 October 2014.

ISGST 2014 aimed to be a platform for researchers, engineers and practitioners from Malaysia and abroad to present their latest research findings and applications of green and sustainable technology.

The symposium was attended by UTAR President Ir Prof Academician Dato' Dr Chuah Hean Teik, FEGT Dean Dr Yap Vooi Voon, CEGT Chairperson Engr Dr Lee Seng Chyan, chairperson of organising committee Prof Ir Dr Ong Kok Seng, UTAR staff, students and participants.

In his opening remarks, Prof Chuah thanked the organising committee, sponsors and participants for making the



Prof Scharfenberg and Dr Kannan (right) at the symposium

event a success and accorded his appreciation to Prof Dr Georg Scharfenberg who came all the way from Regensburg University of Applied Sciences, Germany, to attend the symposium. He expressed hope that that ISGST 2014 would nurture new collaborations and innovations to better advance green causes.

The four-day symposium featured keynote lectures and presentations on the research areas of Carbon, Energy, Transport, Buildings, Waste Management and Nanotechnology.

Prof Scharfenberg delivered the first keynote address titled "Pillars of energy transition – Barriers to overcome." He gave an overview of the need for energy transition, the catastrophic consequences of greenhouse gases on lives and the environment as well as the challenges to renewable energies.

Dr Ir K.S Kannan delivered the second keynote lecture titled "United Nations Industrial Development Organisation (UNIDO) Industrial Energy Efficiency Project – A low carbon path to enhance

industrial competitiveness." The project aimed to promote energy efficiency improvements in the Malaysian manufacturing sector through the implementation of National Energy Management Standard and application of System Optimisation.

Dr Kannan who is the UNIDO project national manager and professor at Universiti Teknologi Malaysia, elaborated on the definitions and purposes of the Energy Management Standard (EnMS) and System Optimisation.

UTAR hosts BAFE 2014



The Best Paper Award winners with guest of honour Daniel Wa (seventh from left), Prof Ewe (sixth from right) keynote speakers, BAFE 2014 organising committee and sponsors

cross-disciplinary themes of this conference reflect the impact of globalisation and I am positive that BAFE 2014 will be a useful platform for more integrative related studies."

The organising chairman of BAFE 2014 and Dean of FBF, Prof Dr Choong Chee Keong thanked all parties for supporting the conference and added that the participants would benefit from the presentations.

The invited keynote speakers; Prof Paresh Narayan from Deakin University of Australia and Assoc Prof Dr Albert Teo Chu Ying from National University of Singapore presented on the respective topics of 'Does Financial News Predict Stock Returns? New Evidence from Islamic and Non-Islamic Stocks' and 'Doing Business Doing Good.'

Japanese students in English programmes and study tours



Josai International University students completing group exercises

Between 6 August and 17 September 2014, a total of 60 Japanese students from Josai International University (JIU), Toyama University (TU) and Josai University (JU) came to the Perak Campus for a two-week English Immersion Programme (EIP) organised by UTAR Centre for Extension Education (CEE).

Another group comprising 11 students from Kwansai Gakuin University (KGU) also came for a ten-day study tour to know more about Malaysian communities.

The EIP involved the students in both classroom learning on language skills and outdoor activities that included cultural performances and tours to Cameron Highlands, Ipoh, Kuala Kangsar, Pangkor and Kuala Lumpur.

The tour activities conducted by CEE for the KGU students included home stays in Gopeng, field trips, and even a trip to Putrajaya. The field visits included the Jeram New Village in Kampar, TEKUN National Office in Ipoh, GIATMARA Training Centre in Kampung Gajah, interviews with MARA Science Junior College students, Farmer's Organisation Authority Office in Langkap, charcoal factory in Taiping, Matang Mangrove Park and Murata Electronics office in Batu Gajah.



Toyama University students at Ubudiah Mosque in Kuala Kangsar



Josai University students learning the techniques of preparing a local delicacy



Kwansai Gakuin University students posing for a group photo with UTAR Vice President for Student Development and Alumni Relations Assoc Prof Dr Teh Chee Seng (second row, third from left), CEE staff and UTAR students

- 02 Collaboration at Work
- 06 In Search of Excellence
- 10 Special Feature
- 12 In Search of Excellence
- 13 From Talks to Forums
- 14 Students in Action
- 18 拉大视野
- 20 Sudut Utarian

Symposium on Science Education

The inaugural UTAR Symposium on Science Education themed 'Innovation and Effective Teaching Methods in Science Education' was held at Perak Campus on 23 August 2014.

The symposium was jointly organised by UTAR and *Majlis Professor Negara* and supported by *Kementerian Pendidikan Malaysia*, Malaysia Toray Science Foundation (MTSF), Sasbadi, MYC Magazine and GTI Media. It attracted 225 participants comprising secondary school teachers, lecturers from matriculation colleges, Universiti Pendidikan Sultan Idris (UPSI), State Education Department officials, staff and members of the public.

In his opening address, UTAR Vice President for R&D and Commercialisation Prof Ir Dr Lee Sze Wei said that educators and the industry can work as an integrated

continuum to bridge the gap between Science education and the society. He also mentioned the importance of Science, Technology, Engineering and Mathematics (STEM) and the UTAR mentorship programme.

The key speakers were Deputy Director of *Bahagian Pembangunan Kurikulum*, Ministry of Education (MOE) YBhg Datin Dr Ng Soo Boon, Deputy Head of *Kluster Pendidikan dan Pembangunan Modal Insan*, *Majlis Professor Negara* YBhg Prof Dato' Dr Abdul Rashid Mohamed and the representative of Asia-Pacific Programme of Educational Innovation for Development, UNESCO Bangkok Hartfried Schmid.

Datin Dr Ng presented on issues related to the curriculum and Prof Dato' Dr Abdul Rashid spoke on creativity and communication skills in learning. Schmid shared insights



Hartfried, Prof Dato' Dr Abdul Rashid and Datin Dr Ng posing with (right) UTAR Institute of Postgraduate Studies Director Prof Dr Faiz bin Abd Rahman

on ICT channels to advance science education.

Other speakers were MTSF award winners Tan Mun Wai, Dr Shahrul Kadri Ayop and Seow Yoke Hock, *Maktab Rendah Sains Mara (MRSM) Guru Cemerlang Kimia* Juriah binti Alias, UPSI academic

member Dr Balamuralithara Balakrishnan, Creative Wizard Sdn Bhd CEO Teoh Poh Yew, ITrain (M) Sdn Bhd CEO Bikesh Lakhmichand and UTAR Teaching Excellence Award recipient Paul Davidson.

Workshop for School Teachers

More than 140 Mandarin teachers from 80 secondary schools around Malaysia attended a 'Bengkel Pemantapan Pedagogi Bahasa Cina Sekolah Menengah' at UTAR Perak Campus from 19 to 20 September 2014.

Jointly organised by UTAR and the Taiwan Education Centre in Malaysia, the two-day educational workshop was also supported by the Perak Education Department and UTAR Institute of Chinese Studies (ICS).

The guests at the opening ceremony were the Perak State Education Department *Penolong Pengarah Bahasa Cina* Lim Song Khan, Feng Chia University Vice President Dr Chiu Chuang-Chien, Taipei Economic and Cultural Office in Malaysia Director of Education Division Chu To-Ming and UTAR President Ir Prof Academician Dato' Dr Chuah Hean Teik.

Also present were UTAR



(Front row, fourth from left) Dr Chong, Beh, Dr Chiu, Chu, Prof Chuah, Lim and Hew

Council Member Hew Fen Yee, Taiwan Education Centre in Malaysia Chief Executive Officer Beh Chew Nam, Taipei Economic and Cultural Office Deputy Assistant Director of the Education Division Canny Liao, ICS Dean Assoc Prof Dr Chong Siou Wei, Director of Division of Community and International Networking Assoc Prof Dr Tan

Sin Leng as well as the *Penolong Pengarah Bahasa Cina* from Perlis, Kedah, Kelantan, Pahang, Selangor and Malacca.

There were a total of four talks; namely, 'Research on Chinese in Malaysia' by ICS Deputy Dean for R&D and Postgraduate Programmes Assoc Prof Dr Wong Wun Bin; 'Literature and composition' by

ICS lecturer Toh Teong Chuan; 'Infusing life education into teaching' by Faculty of Arts and Social Science lecturer Peh Kai Shuen and 'Malaysian Chinese literature' by ICS lecturer Lee Soo Chee.

Prof Ewe presented the participation certificates to the attendees at the closing of the workshop.

UTAR Institute of Chinese Studies (ICS) and the Institute of Strategic Analysis and Policy Research (INSAP) jointly organised a seminar titled '2014 International Seminar on the 40th Anniversary of China-Malaysian Diplomatic Relations' at Armada Hotel, Petaling Jaya from 22 to 23 August 2014.

The aim was to mark the 40th anniversary of Malaysia-China diplomacy by bringing eminent scholars from universities in China, Hong Kong, Malaysia and INSAP on Sino-Malaysian ties.

The Chairman of INSAP YB Senator Dato' Dr Hou Kok Chung represented the Transport Minister and President of Malaysian Chinese Association (MCA) YB Dato' Sri Liow Tiong Lai as the Guest of Honour in officiating the opening ceremony. In his address, he cited China's Xiamen University Campus in Malaysia as an example of advancement in the diplomacy.

In his welcome speech, UTAR Vice President for Internationalisation and Academic Development Prof Dr Ewe Hong Tat said that the gathering of eminent scholars made the seminar more meaningful and reflected well on the bilateral ties.

Present at the opening ceremony were the representative of the Ambassador of China to Malaysia, Wang Hongliu who

ICS and INSAP co-host International Seminar



Speakers and delegates at the seminar

is also the Director of Chinese Embassy Political Section, the Secretary of Malaysia-China Friendship Association Tan Khai Hee, and the former Minister in the Prime Minister's Department Tan Sri Dr Koh Tsu Koon. The other attendees included the organising committee chairman Dr Chin Chong Foh, ICS Dean Dr Chong Siou Wei, Prof Dr Lim Chooi Kwa, staff and members of the public.

The seminar had a total of six sessions

that featured presentations on topics such as Review of Malaysia-China Diplomatic Relations, Politics and Economics Studies on Malaysia-China Relations, Review of Malaysia-China Social and Cultural Interactions, Cultural and Social Studies in Malaysia-China Relations and China's influence in Malaysian Education and Literature. Four sessions were conducted in Mandarin and another two in English.

Taiwan Youth Ambassadors



Cultural performance by the ambassadors

A group of 17 multi-talented Taiwanese university youths, on a mission to promote Taiwan culture through music, arts and dance, visited Perak Campus from 9 to 10 September 2014. They were led by officials from the Taiwan Ministry of Foreign Affairs, and accompanied by Deputy Director of Taipei Economic and Cultural Office, Malaysia, Charles Chou on their visit to Perak Campus.

UTAR Vice President for Internationalisation and Academic Development Prof Dr Ewe Hong Tat welcomed them to the campus.

The Youth Ambassadors staged a spectacular two-hour cultural show at Pei Yuan High School Hall on 10 September 2014. Their performances included modern and classical singing, dances, poetry recitals and acrobatic displays which reflected the Taiwanese culture.

The Youth Ambassadors were on a tour of the Asia Pacific region. UTAR was the only institution of higher learning in Malaysia to host them.

A team of three UTAR students emerged as champion in the Association for Computing Machinery (ACM)-International Collegiate Programming Contest (ICPC) at national level. It was hosted by Universiti Teknologi Petronas in Seri Iskandar, Perak

Top in ACM-ICPC National Programming Contest



(From left) Dr Ng, Lee, Lim and Brenda with the mock cheque

on 27 and 28 September 2014.

Known as *KitKat*, the team comprised Lim Yun Kai, a Foundation in Science student, Brenda Lee Mun Yee, a Bachelor of Science (Hons) Computer Science student and Lee Guan Chuan, a Bachelor of Science (Hons) Information Systems Engineering student. Both Brenda and Lee are from the Faculty of Information and Communication Technology (FICT).

Team *KitKat* was mentored by FICT lecturer Dr Ng Yen Kaow, and walked away with a cash prize of RM3000. The team members bagged an individual medal and a certificate of participation each.

In the finals, team *KitKat* successfully cracked nine out of the ten problem statements which put them ahead of the other competitors.

The team members expressed gratitude to Dr Ng for the strong support and encouragement. Dr Ng added that the team only had three months to practice and still managed to win due to good team work and in particular the shrewdness of Lim. Dr Ng described Lim as a spot-on talent in programming who played a key role in catapulting the team to their sensational first time victory.

When asked about his advice for students who wish to join the contest, Lim said, "One must have the passion for programming and the willingness to learn.



The team at their work station before the start of the contest

They should also hone their critical thinking and problem solving skills."

Their record-breaking feat is a huge improvement from last year's sixth place by a UTAR team. Their victory was made sweeter by the fact that unlike most participating universities, UTAR sent only one team but still managed to ace the contest.

ACM-ICPC Malaysia National Programming Contest is Malaysia's national programming contest that acts as the

preliminary round for all Malaysian teams to advance to the Regional Asia Contest. The ACM -ICPC is a team-based programming competition operating under the auspices of ACM and headquartered at Baylor University. The contest involves a global network of universities hosting national and regional competitions that advance teams to the ACM-ICPC World Finals.

The University shares the joy of its Electronic and Communications Engineering student Loh Hong Khai from the Faculty of Engineering and Science when he was successfully selected out of 50,000 applicants worldwide to become one of the six youth Explorers in the Bosch World Experience 2014. Loh was also the only representative from South East Asia. The other selected Explorers were from Germany, USA, Brazil, Netherlands and China.

The Bosch World Experience 2014 took Loh and the other five successful applicants on a technology galore journey to experience the marvels of Bosch pioneering technology in major cities with iconic structures and inventions such as the impressive Tower Bridge in London, the 100-year Panama Canal in Panama, the driverless car in San Francisco, the towering Shanghai World Financial Center and electric cars in testing sites at Singapore. They toured six countries across three continents

Bosch World Experience 2014



Loh was selected among 50,000 applicants

from late July to early August 2014.

The most memorable part of the tour was the once-in-a-lifetime chance to visit the special engine rooms of the

the experience as I was in awe seeing the intricate designs and complex mechanisms in these engineering feats."

He further added that the tour experience has further impressed upon him the vital role of engineers in technological development and the impact on society. He also valued the knowledge acquired, including the friendships made with fellow Explorers.

Loh, who was also the Bayer Young Environmental Envoy 2013, said that his preparations for the selection interview included researching the Bosch corporate background and his own contributions to helping society.

For the last leg of the tour, the Explorers were flown to Berlin, Germany to know more about Bosch and its founder as well as the city of Berlin. The Bosch World Experience 2014 was funded by the Robert Bosch Foundation.



The Explorers with their Bosch electric-bicycles in San Francisco



Loh (second from right) with the other Explorers in Berlin



The Bosch Explorers in a group photo

Grand Prize in Innovate Malaysia Design Competition 2014

Three UTAR Faculty of Engineering and Science final year students won the Grand Prize (National Instruments Track Category) in the grand finale of the Innovate Malaysia Design Competition (IMDC) 2014, held in Penang on 28 August 2014. The winning trio, comprising Alvey Hau Lee Chuen, Nicoline Saw Ying Jie, and Chok Eu-Tjin were over the moon as the grand win came successively after their third prize win at the same competition in July last year. They received a cash prize of RM5000 as well as a Lego Mindstorms kit each from National Instruments Penang Managing Director Rajesh Purushothaman.



Hau and Chok (first left and right) receiving the mock cheque and prizes from Rajesh (second from right)

IMDC 2014 was jointly organised by Altera, Intel, Keysight, MathWorks, Microsoft, National Instruments, and Silterra, which are leaders in electronic instrument, programmable logic, microprocessor, numerical computing, software, control automation, and IC fabrication respectively.

The winning UTAR team's project; *Energy Link: An Interactive Energy Management Platform* enabled users to access real-time and historical data through a comprehensive power and energy

information centre. Team leader Hau added that the project enabled the occupants within a building to use electricity wisely through the interactive energy management platform which incorporated 'Peak Deduction' for the reduction of electricity cost.

The winning team members also expressed their gratitude to their supervisor FES Senior Lecturer Chua Kein Huat for his guidance in making the project relatively more practical and comprehensive in comparison to the entries of the other 28 participating universities.

Three UTAR students from the Department of Civil Engineering under the Faculty of Engineering and Science (FES) was awarded silver in the Novel Research and Innovation Competition (NRIC) 2014, held at Universiti Sains Malaysia, Pulau Pinang from 19 to 22 August 2014.

NRIC 2014 aimed to instil the importance of research and development among students and to give them an opportunity to put their talents and creativity into action.

The students in the silver-medallist team were Sim Chia Onn, Eng Wei Sheng and Chung Sze Leong and they received a medal and certificate each. Their team adviser, Ir Dr Low Kaw Sai also received a certificate of acknowledgement on his supervisory role in guiding the team towards clinching the silver award.

The winning project titled *Amphibious Bamboo Lightweight Concrete* was invented to support heavy construction safely over deep soft subsoil avoiding excessive 'total and differential' settlements, and to carry land reclamation load under water or over water as floating platform. The winning trio also

Silver medal at NRIC 2014



(From right) Eng, Chung and Sim

set-up a booth to display the components of the system such as bamboo, lightweight concrete, and any light and durable discarded wastes as well as demonstrate the controls of the system's overall density.

NRIC 2014 was organised by the Student's Representative Council of Universiti Sains Malaysia and supported by the Minister of Higher Education Malaysia.

Synthomer Best Chemistry Graduate Award 2014

UTAR Bachelor of Science (Hons) Chemistry graduate Wong Siak Soon received the Synthomer Best Chemistry Graduate Award 2014 at Perak Campus on 27 August 2014.

Present at the ceremony were UTAR President Ir Prof Academician Dato' Dr Chuah Hean Teik, Faculty of Science Dean Assoc Prof Dr Lim Tuck Meng, Synthomer Asia Human Resource Director Dato' Norashikin binti Ismail, Synthomer Hiring and Staffing Manager Puan Hajar Hanim Ridzuan as well as UTAR staff and students.

In his opening remarks, Prof Chuah welcomed Dato' Norashikin to the Perak Campus and added that UTAR will strive to nurture more competent and dedicated graduates to meet the industry's demand.

In her address, Dato' Norashikin extended her heartfelt gratitude to UTAR for organising the award ceremony. She added that Synthomer's corporate social responsibility is to support the education sector in Malaysia and to nurture more competent graduates to join the workforce. She also congratulated Wong on his achievement and later presented a cheque of RM3000 and a plaque to Wong as part of the 2014 award which is in its fifth consecutive year.

Synthomer with its headquarters in Harlow, UK is one of the world's major suppliers of lattices and specialty emulsion polymers supporting many market segments including coatings, construction, textiles, paper and synthetic latex gloves.



Wong (second from right) receiving his award from Dato' Norashikin while Dr Lim (left) and Prof Chuah (right) look on

RICS Book Prize

The Faculty of Engineering and Science (FES) organised a ceremony on 3 September 2014 to recognise the achievement of its Quantity Survey (QS) final year student Liew Yee Ching, who was awarded one of The Royal Institution of Chartered Surveyors (RICS) Book Prizes for Best Undergraduates for Year 2013/2014.

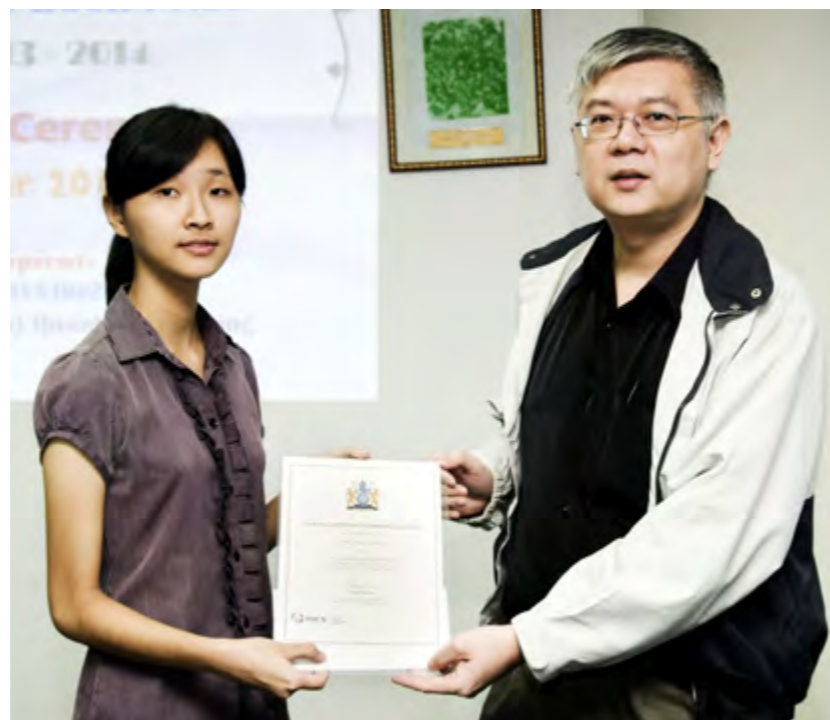
Liew received the award of a cash prize of RM400 and a certificate from FES Dean Prof Ir Dr Yow Ho Kwang at the FES recognition ceremony, witnessed by the Faculty Board members.

The RICS Book Prizes are awarded based on excellence in education achieved by undergraduates registered as RICS student members and studying full time or part time in RICS accredited courses in Malaysia for the penultimate year.

UTAR Head of Surveying Department Dr Chia Fah Choy commended Liew on winning the award. He further added that the award helped to promote the programme internationally as RICS is a recognised world-wide professional body.

Liew is the current treasurer and auditor of the Built Environment Society and the chairperson for site visits and recruitment drive for the Society. She thanked Dr Chia and her lecturers for the guidance and acknowledged the support of her fellow students.

Another recipient of the award is Heng Yong Ming from the Faculty of Engineering and Green Technology.



Prof Yow presenting the certificate to Liew

Distributed Energy Storage Systems with Fuzzy Controller

UTAR has a strong research culture with focus on research, development and commercialisation (RDC). There has been continuous guidance and support to stimulate RDC projects on issues that are relevant in our country.

One of the key issues is green technology with focus on efficiency in the storage and usage of energy. Green Technology is critical to the future of our society as it is fundamental to reduction in the amount of waste and promotes the conservation of energy and natural resources.

One such research project is the fuzzy-controlled energy storage system which was developed by UTAR researcher Ir Dr Lim Yun Seng from the Department of Electrical and Electronic Engineering of the Faculty of Engineering and Science (FES) at the Kuala Lumpur campus. The fuzzy-controlled energy storage system is able to solve the technical issue of voltage unbalance which reduces the effectiveness of renewable

energies in Malaysia.

The problem of voltage unbalance came about due to the installation and distribution of the single-phase renewable energy sources which are rather arbitrary and not monitored by any utility companies. The source of this issue could be explained by the various programmes including tax exemptions, feed-in tariff, incentives and subsidies to encourage the utilisation of renewable energies installations. The cumulative installed photovoltaic (PV) capacity from year 2012 to 2013 has been increased by 65 MW due to the launch of feed-in tariff.

However, most of the PV systems installations are driven by customers and non-centrally planned which have resulted in large amount of grid-connected PV systems. This has, therefore created the critical problem of voltage unbalance issue in addition to others such as unnecessary neutral current circulation and reverse power flow.

Ir Dr Lim Yun Seng's research project on distributed energy storage is an effective approach and solution to mitigate any voltage issues in the distribution network without curtailing any excess power generated by renewable energy systems. Fuzzy logic control is developed and implemented into the distributed energy storage systems for controlling individual phase voltage.

The structure of the energy storage system (see Diagram A) consists of three units of bi-directional inverters integrated with 4 battery banks connected in parallel while each bank consists of four valve-regulated lead acid (VRLA) batteries connected in series to have a capacity of 115 Ah at 48 V. The total battery capacity for each SI5048 is 460 Ah. This distributed energy storage is able to solve any technical issues caused by the highly intermittent PV power output.

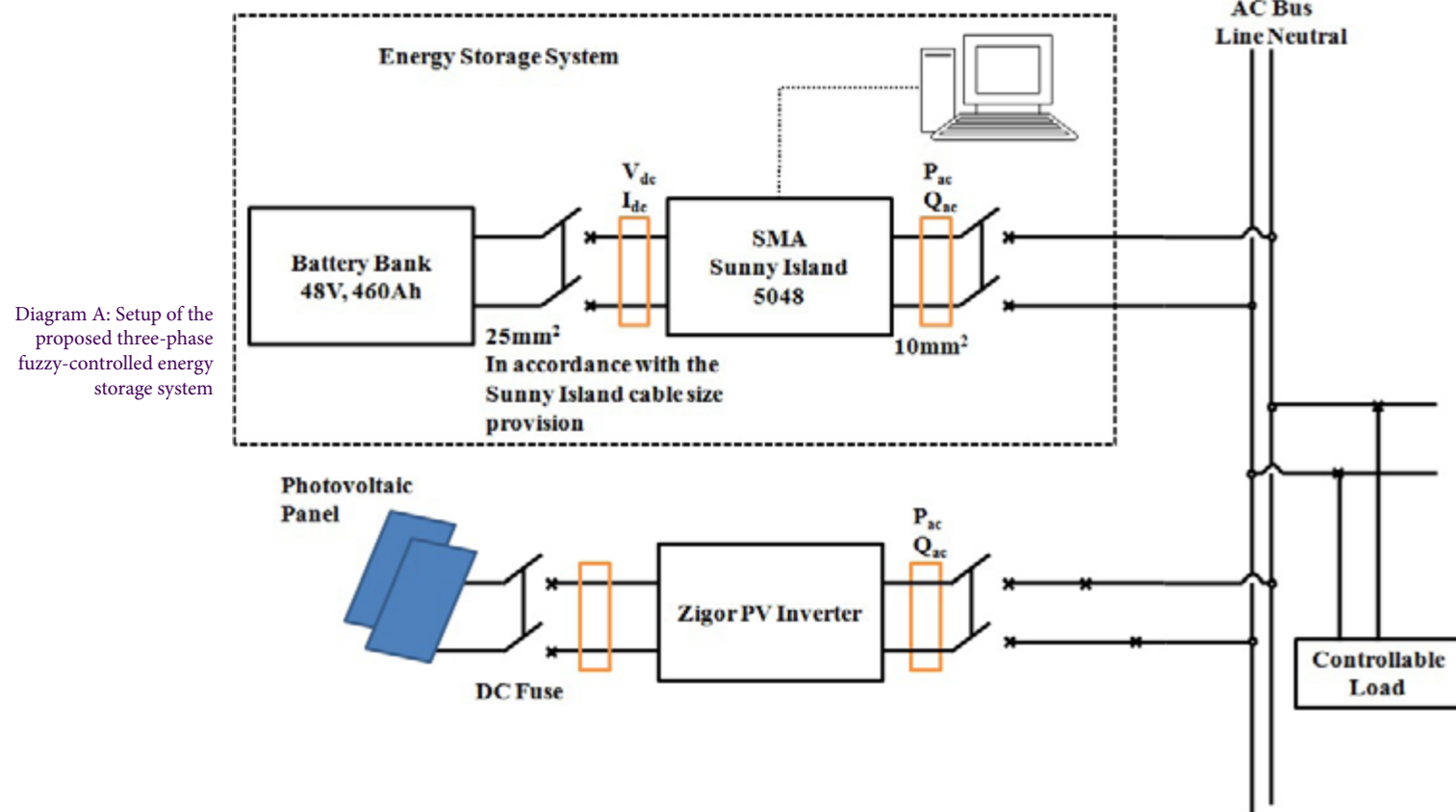


Diagram A: Setup of the proposed three-phase fuzzy-controlled energy storage system



Assoc Professor Ir Dr Lim

The performance of the fuzzy controlled energy storage is verified by setting up the three single-phase energy storage systems on a designed low-voltage distribution network with two single-phase photovoltaic systems.

A series of case studies under various conditions of generation and demand has been designed to verify the performance and effectiveness of the proposed control algorithm. The experimental results have shown the voltage unbalance factor can be reduced effectively while the voltage magnitudes were maintained at its statutory limit.

This research project is funded by several funding schemes such as Ministry of Science, Technology & Innovation (MOSTI), Brain Gain Programme, AAIBE (Akuan Amanah Industri Bekalan Elektrik) from the Ministry of Energy, Green Technology and Water and CREST Fund. This research project enabled the researcher to publish 18 international journals, file 2 patents and win several international and national awards.

The distributed energy storage system



The Fuzzy controlled energy storage system that consists of bi-directional inverters, namely Sunny Island 5048 integrated with valved-regulated lead acid (VRLA)



From left: the low voltage panel, two units of 3.6 KWP single-phase Photovoltaic inverters (middle) and the two variable speed drives



The project laboratory with the equipment and devices



Photo-voltaic (PV) panels mounted on a 3.3 metre structure at the car park, K L campus



Load emulators

will be used on the distribution network of Tenaga Nasional Berhad (TNB) based on the contractual agreement between UTAR and AAIBE.

In addition, the university is commercialising the energy storage system by signing a Memorandum of Agreement (MOA) with ERS Energy Sdn Bhd which is a certified sustainable energy and water provider.



Wind turbine and PV panels at the car park, KL campus



Our UTAR team won the Championship in the Universiti Teknologi PETRONAS (UTP) Greentech Forum at the 33rd Science and Engineering Design Exhibition (SEDEX 33) held at UTP Campus in Tronoh, Perak on 6 August 2014.

The champion team comprised three UTAR students; Leong Chew Wai from the Faculty of Engineering and Science, and Priyadharishiny a/p Rajeindram and Limbada Sayed Irshadally who are both from the Faculty of Arts and Social Science. The title of the Greentech Forum was 'Kyoto Protocol'. The forum's objective was to create more awareness on environmental issues caused by technology advancement.

The winning team presented on the effects of the Kyoto Protocol in China. The team members enthused that it was a good experience and they did a lot of background research on the Kyoto Protocol. It took them about a week to prepare the facts and figures and rehearse before

Champion in GreenTech Forum



The UTAR team (left) with the UTP team

the forum.

Leong said, "I hope that this win will encourage more UTARians to participate in competitions. As youths, together, we can manifest the virtues of our UTAR emblem.

Never feel small to take up challenges."

The organisers invited all institutions of higher education in the country to participate and send a team of three students, and the name of the given

country was stated two weeks prior to the forum to allow time for preparation. The winners were selected by a panel of judges.

Khind Starfish Foundation Grant

UTAR students, comprising a team of Actuarial Science student Lee Ming Yao, Chemical Engineering student Khe Kwan Leen, and Accounting student Wong Chiaw Yeeng and a single-member team of Public Relations student Ong Ling Cui successfully secured two grants in the Project for Happiness, an initiative by Khind Starfish Foundation.

Project for Happiness is opened to all undergraduates in Malaysia to design creative and innovative grassroots projects that focus on education, poverty eradication and cultural and performing arts.

The first team's project titled 'Understanding Culture through Mask Making' received the grant of RM8370. The team was inspired after attending the theatre class as an extracurricular subject in UTAR and decided to work on the project to raise the awareness on local culture. UTAR Soft Skills and Competency Assistant Lecturer Nurulain Binti Mohamad Salihuddin guided them in promoting the mask making to the community.

Ong's project, which received the grant of RM6660, was titled 'Beat & Dance in Nature-Exploring Mangrove Forest' in Kuala Sepetang, Perak. The project involved the



Lee and team presenting their project at Khind Holding Berhad in Bukit Jelutong

primary school students in Kuala Sepetang community as an effort to bring the younger generation closer to nature.

Upon successful selection as grant recipients, the students had to raise a minimum of 10 percent of the total project

cost before the grants were awarded in July 2014. The students have to adhere to a schedule which was to complete the project by 31 October 2014, final report submission by 15 November 2014 and to organise the project exhibition on 20 December 2014.

Renowned historian speaks at UTAR

Seasoned author and speaker on History, Prof Dr Cheah Boon Kheng delivered a talk titled 'Malaya's Road to Independence and After: The Paradoxes and Ironies of Nationhood' at Heritage Hall, UTAR Perak Campus on 20 August 2014.

Organised by UTAR Centre for Extension Education, the talk was attended by UTAR Council Member and Malaysian Chinese Association (MCA) Secretary General YB Dato' Seri Ong Ka Chuan, UTAR President Ir Prof Academician Dato' Dr Chuah Hean Teik, UTAR Vice President for R&D and Commercialisation Prof Ir Dr Lee Sze Wei, Centre for International Studies Director Dr Steven Leong, UTAR staff, students and members of the public.

In his talk, Prof Cheah spoke on the history of Malaysia, the political roles, ironies and paradoxes of national leaders, the formation of Malaya, the integration of Sabah, Sarawak and Singapore into Malaysia and the subsequent departure of Singapore from Malaysia.

In the Q&A session, there were numerous questions from the audience resulting in an engaging interactive session. Responding to questions on whether history is accurate and whether National Cultural Policy (NCP) is still relevant to nation building, Prof Cheah opined, "I believe that history can only tell partial truth as it is an



Prof Cheah offering insights into the history of Malaysia

ongoing process. The truth will come to light when we collect more data, sources and evidences."

He further added that NCP thrived during Tun Dr Mahathir's era because he was trying to consolidate United Malays National Organisation by courting MCA and Malaysian Indian Congress and expressed hope that multiculturalism would continue to flourish in this country."

The talk ended with a souvenir presentation to Prof Cheah.

Entrepreneurial Talk by Jason Lo

UTAR Department of Consultancy and Commercialisation (DCC) successfully organised an entrepreneurial talk by Tune Talk Sdn Bhd Chief Executive Officer (CEO) Jason Lo to postgraduate students and Creative Industries undergraduates. The two-hour talk was held on 12 August at the Petaling Jaya Campus. The talk is part of DCC's entrepreneurial talk series and aimed to enlighten students on business issues and the qualities of a good business manager.

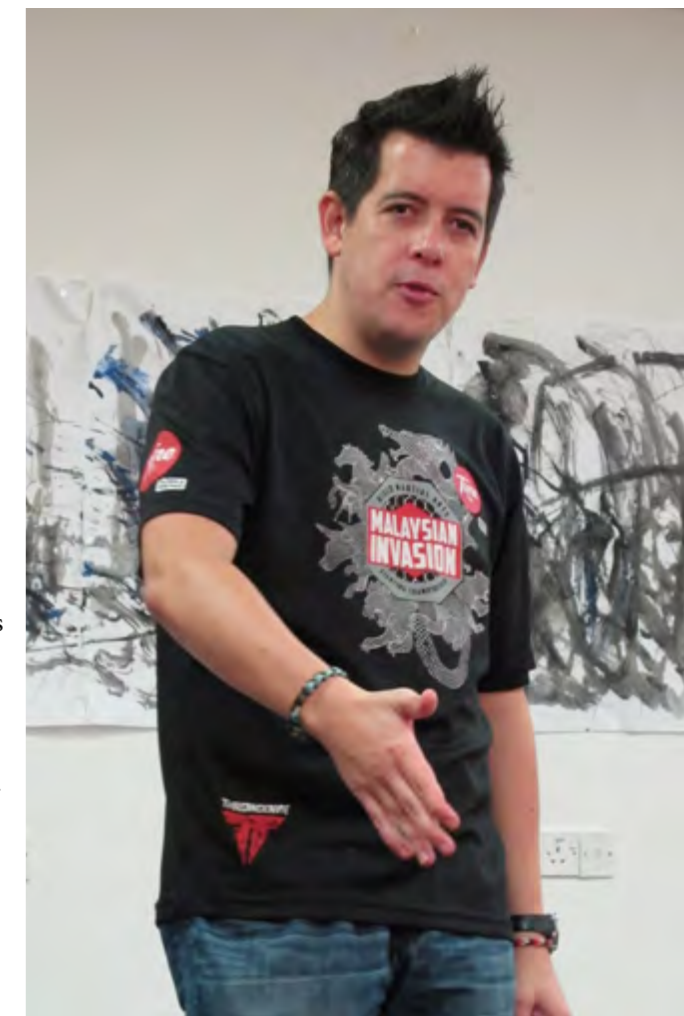
Lo is multi-talented. He is a musician, a talk show host as well as owner of a record label and event promotion company named Fat Boys Record. UTAR Vice President for R&D and Commercialisation Prof Ir Dr Lee Sze Wei in his welcome speech said, "Jason is a man of experience given his background in entertainment, broadcasting, and telecommunication industries. This

is a good opportunity for students to interact with him and learn more about his success stories and the current issues in the industry."

In his talk, the successful young entrepreneur emphasised on the importance of having a structured business plan, a good business model, and an efficient financial and manpower management to ensure the sustainability of a business in the long run.

Lo said that setting up a business is like writing a song where one has to start from a blank sheet of paper. He further advised students to never be afraid of failure and that success very much depends on one's attitude.

He also encouraged students to adopt the proactive thinking of a game-changer by identifying the "subtlety" in their business and provided tips in the preparation of a job interview. The talk ended with a Q&A session.



Lo delivering his energetic presentation

Visit to ASTRO

A group of 37 students pursuing the Bachelor of Communication (Hons) Broadcasting and Bachelor of Arts (Hons) Journalism in Chinese Media at UTAR Faculty of Creative Industries (FCI) visited ASTRO (Measat Broadcast Network System) premise at its All Asia Broadcast Centre at Bukit Jalil on 13 August 2013. They were accompanied by FCI Deputy Dean (Student Development and Industrial Training) David Tneh Cheng Eng, Head of Media Department Beh Chun Chee, lecturer Muhamad Albarr and specialist Foo Mei Lee. The visit was in response to the invitation by ASTRO who is the Malaysian Direct Broadcast Satellite Pay TV service provider of news, sports and entertainment programmes.

The tour was very educational as the itinerary was activity-packed with presentations and tours of ASTRO's facilities and infrastructure. It enabled the students to gain first-hand experience into the working of a media organisation.

The presentations included a welcome brief by ASTRO Assistant Vice President



In MYFM studio

(Youth Outreach) Anita Thanapalu and her team, an interesting presentation of the core business structure by Calvin Teng, Assistant Vice President of Corporate Finance and Investor Relations as well as internship opportunities in ASTRO's management associate programme by HR personnel.

At the guided tour, the students learned about ASTRO's satellite uplink and downlink operations, the High Definition control room, and viewed the radio broadcast floor which houses popular radio stations such as

ERA fm, hitz.fm, MIX fm, and LiteFm.

A highlight of the tour which proved to be very memorable for the FCI students was the face-to-face meeting with MY FM's popular radio announcers; Jack Lim, Jeff Chin and Gan Mei Yan.

Marking the end of the tour was Thanapalu's summary of the tour and future career opportunities for the media students and special treats of a hearty lunch and goody bags.

Sungai Long SRC promotes energy conservation

The Sungai Long Campus Student Representative Council (SRC) recently organised a two-day event on Energy Saving awareness at the Sungai Long Campus. The event which consisted of talks in the first day and games in the second day, supported UTAR's initiative on energy saving and aimed to raise awareness on energy conservation among the students of the campus.

The Secretary General of the Water and Energy Consumer Association of Malaysia (WECAM) Foon Weng Lian and the Deputy Secretary General of the Federation of Malaysian Consumers Association (FOMCA) Jesslyn Pek Yen Lee gave talks pertaining to the topic 'Switch! Energy Talk'.

Later that afternoon, Pek who is also a Research and Policy Executive at *Forum Air*

Malaysia, spoke on the significance of water conservation and tips on water saving.

The highlight in the second day of the event was the competition with game stations. It commenced with the registration of the participants who were also given goody bags. The first game was Snake and Ladder before the participating teams proceeded to construct torch lights which were used in subsequent game stations. These game stations were The Maze, Shadow Charades, Flashback, Carry Your Own Weight, Wall of Words, Handy Feet, and Don't get Puzzled. A prize was awarded to the team who completed all the games correctly and with the fastest time.

The organising chairman, Melvin Choo Yeh Ming and his committee later expressed their appreciation to all supporters of the event.



Pek delivering her talk

Ja-Jambo Charity Night for a noble cause

The Department of Student Affairs (DSA) and UTAR Banking and Finance Society jointly organised the Ja-Jambo Charity Night at Dewan Tun Dr Ling Liong Sik, Perak Campus on 8 August 2014.

The primary aim of the charity event was to raise funds for victims in the South Sudan conflict through World Vision which is an international relief organisation dedicated to the eradication of poverty worldwide. The event was also a platform to showcase students' talents in music and dance and to promote interaction among staff and students in the UTAR community.

The night started with the arrival of guests comprising UTAR Vice President for Student Development and Alumni Relations Assoc Prof Dr Teh Chee Seng, DSA officer Chai Lai San, World Vision Malaysia representatives Ninian Tian and Jyun Khoo and organising chairperson Goh Siew Huei. The other attendees were the UTAR staff, lecturers and students.

In his speech, Dr Teh congratulated the organising committee and added that the charity night was for the students to enjoy and to network with other students.

Goh, in her welcome speech praised the students for promoting the charity night tickets to raise funds and wished the



Virgin Boys with their eccentric hairstyle and humour on stage

audience an enjoyable time.

The Ja-Jambo Charity Night was a musical extravaganza with captivating performances by UTAR students and invited local artistes that included Mandopop duo Thomas Kok and Jack Tan, Alvin Chong and guest performer Emmanuel Yoong Zhuang.

The opening dance act, by the students

to the tunes of 'Ja-Jambo and Mumbo No: 5' set the entertaining pace for the night. The dazzling student performances included the band Virgin Boys, aspiring beat boxer Ng Pei Gan and the dance group, Humble First. The night ended fittingly with an open dance floor and an autograph signing session with a local performer.

Presentation at NSTP

UTAR Faculty of Accountancy and Management (FAM) final year accounting students presented their proposed action plans for News Straits Times Press (NSTP) on 28 August as part of their coursework. It was held at the NSTP Head Office in Balai Berita Bangsar.

The objective was for the students to experience real industry issues through connecting with an industry player such as NSTP and to fulfill the coursework for Integrated Case Study, a core subject of the accounting programme.

There were two group presentations. The presenters for the first group were Chin Sal-ly, Kirbarupuni Vasanthakumar and Tang Sook Kuan and for the second group, were Eng Xue Ni, Ng Kei Yan and Mary Seen Hui Yin. Their project papers had earlier been selected by FAM lecturers for presentation to NSTP.

Accompanying the students were FAM Integrated Case Study subject Senior Lecturer K. Shamini a/p T. Kandasamy, Head of Programme (PhD and MPhil programmes) Dr Sia Bee Chuan, Department of International Business Lecturer Yeong Wai Mun, Department of Accountancy Lecturers Lim Fung Ting and Zufara Arneeda Binti Zulfakar, and Corporate Communication Executive Khairon Najah.



Students and lecturers with Datuk Abdul Jalil (first row, sixth from right)

Present at the presentation were NSTP Group Managing Editor Datuk Abdul Jalil Hamid, Marketing General Manager Putri Shireen Syed Othman, Corporate Communication Head Wan Abdillah Wan Nawli, and other NSTP management staff.

The presentation was a Gen Y's perspective with suggestions for NSTP to reach a wider market. The main issues were on financial and marketing perspectives with

a critical analysis of the market challenges.

Datuk Abdul Jalil lauded the team for their excellent work and thanked UTAR for the fruitful contribution. He also presented certificates of recognition to the presenters and the accompanying fellow students.

The UTAR delegation also toured the NSTP Editorial Desk and Resource Centre after the presentation.

UTAR Department of Alumni Relations and Placement (DARP) organised the Alumni Homecoming Night 2014 at Platinum Club 21, The Icon in Kuala Lumpur on 2 August 2014.

The organising chairperson who is also the DARP Head Lim Swea Jen thanked everyone for supporting the event. He added that the homecoming event aimed to foster a more tightly knitted UTAR community and to update the alumni on the university's progress.

Present at the event was UTAR President Ir Prof Academician Dato' Dr Chuah Hean Teik, Vice Presidents Prof Dr Ewe Hong Tat (Internationalisation and Academic Development) and Dr Teh Chee Seng (Student Development and Alumni Relations). Other attendees included the alumni, students, staff, and sponsors.

Prof Chuah, in his address emphasised the importance of having a strong alumni network and added that UTAR valued the bond with its past graduates for they are the role models for their juniors, setting the standards for other graduates to follow.

There was camaraderie and togetherness as alumni, staff, students and others mingled and shared conversations over the buffet dinner. The alumni homecoming was a fun-filled night with video presentations, performances by Jin Se, Bell Yu Tian,

Fostering togetherness at Alumni Homecoming



The Petaling Jaya Campus Dance Group

comedian Andrew Netto and even a sushi-eating competition. There were lucky draws, performances by the Black Muffins Acapella

Team, and UTAR Sungai Long Campus Dance Club.

The closing of the UTAR Sports Carnival 2014 was marked by a grand finale which was held on 6 July 2014. A total of 300 participants comprising UTAR alumni, staff and students who came from the three Klang Valley campuses in Petaling Jaya (PJ), Sungai Long and Kuala Lumpur (KL) competed in the sports event held at Tunku Abdul Rahman University College (TARUC), Kuala Lumpur.

Organised by UTAR Department of Student Affairs Sports and Recreation Unit, the grand finale saw friendly sports competitions and helped in the search for potential players to strengthen UTAR sports team in preparation for upcoming competitions.

Nine categories of sports and games were competed at the carnival, namely, futsal, soccer, bowling, badminton, table tennis, volleyball, basketball (male and female categories), netball, and tug-of-war. The bowling and soccer competitions



Players tussling for the ball

were held prior to the grand finals. The grand finale carnival saw five teams competing against one another in all categories to determine the overall champion. Among the five teams were three student teams representing the

three respective campuses, an alumni team, and another team of UTAR staff. The student team from the UTAR KL campus clinched the overall winning title with a score of five gold medals and a total of 36 points. The student teams from PJ and

Sungai Long campuses won the second and third place respectively.

UTAR Vice President (Student Development and Alumni Relations) Dr Teh Chee Seng presented the medals to the winners.

Sports Carnival

German students Henrik Niederwestberg, Lennart Imorde, Pascal Kleinhanding, Steffan Austermann and Tim Stelthove were attached to UTAR as exchange students from Germany from May until September 2014. Henrik, Lennart, Pascal, Steffan and Tim were Bachelor of Arts in Business Administration students from Dortmund University of Applied Sciences and Arts (DUASA), Germany.

Another German exchange student from a different university was Julian Kolitsch, a Master of Electrical and Microsystems Engineering student from Regensburg University of Applied Sciences (RUAS), Germany.

Their arrangements to study in UTAR were made possible by a Memorandum of Understanding inked between UTAR-DUASA and UTAR-RUAS. Julian's decision to undertake exchange in UTAR was motivated by the presence of leading semiconductor companies in Malaysia, such as Osram and Infineon. "Malaysia is the preferred destination of German investors in the semiconductor industry. I believe that my stint and exposure here will give me the competitive edge when seeking for employment later," said

German students on Exchange Programme



(From left) Henrik, Lennart, Pascal, Steffan, Tim and Julian

Julian.

The German students were based in the picturesque UTAR

Perak Campus which Steffan heaped praises on. He said, "From the idyllic lakes to the

lush greeneries, the state-of-the-art library and the air-conditioned premises that shelter us from the blistering sun, UTAR Perak Campus engages us in an enriching, rewarding and transformative educational experience."

Henrik and Tim commended UTAR's significant quality of teaching and learning with knowledgeable, dedicated and experienced lecturers. They were impressed with the friendly and helpful course mates and the reasonable cost of living.

The exchange enabled the German students to experience life in another country, expanded their language skills and knowledge in a different cultural context, gained appreciation of other cultures, grew their global network of friends, and prepared them for better career prospects.



The German exchange students comprising (from left) Tim, Steffan, Julian, Pascal, Lennart and Henrik at UTAR Perak Campus

马台港学者齐聚一堂



董瑶教授（前排居中）与中医系全体老师合影。

现任教于上海中医药大学的董瑶教授在日前到本校双溪龙校区的医学与保健科学学院进行为期五天的参访。董教授曾任香港大学中医药学院院长、讲座教授、博士生导师。此外，她长期从事中医教学、科研和临床工作，对中西医学之比较研究有独到认识和见解。

董教授于首日拜访了医学与保健科学学院副院长王汉杰副教授及全体中医系老师，并参观了校园。董教授为中医系的全体师生主讲以《中医文化导读》为题的讲座。董教授进行了一个有趣的测验，即问在场的听众，对鸡、牛和草三种事物如何归类？她随后分析说，中国人一般把牛和草分在一起，而美国人一般把牛和鸡分在一起。中国人的分类标准是关系，而美国人的分类标准是本质属性。围绕这个主题，她以文化影响人们的认识活动、文化影响人们的思维方式切入，用文化比较的方式突出了中医学这门学科的特点。

随后，董教授于隔天跟籍学生交流，了解学生的状况及面对的挑战。她给了学生很多启发，也巩固了学生们学习的信心。随后的日子，董教授在查阅中医系各科教学档案后，提供了许多宝贵的意见，对教员们的教学、科研、管理均有相当的启发。

洪天赐师喜获沈慕羽教师奖



丹斯里李金友颁奖状给洪教授。

拉曼大学中文系创系主任洪天赐教授于2014年10月5日在新纪元学院举行的2014年度教师表扬大会上，接获教总所颁发的第六届沈慕羽教师奖。

教师奖的设立，在于鼓励和发掘默默付出的优秀教师，俾成为大家的典范。洪教授为大专中文系的开拓者和领军人物，为中文系的建设与发展奉献一生。

洪教授曾任中学华文教师，并于1968年开始在拉曼大学中文系任职，一直到1991年荣休。从拉曼大学退休后，洪教授前往澳洲，在当地继续推动高校的中文教育发展。2002年拉曼大学成立后，洪教授毅然放下澳洲的高薪，回国协助创办我国第一所私立大学中文系。草创时期，洪教授秉持拓荒的精神，竭尽心血，凡事亲力亲为，为拉曼大学中文系奠定根基，并由本科发展到研究生课程，积极推广更高层次的华人学习与研究。

在洪教授的领导下，拉曼大学中文系迅速发展，崛起成为国内规模最大的中文系，对培养我们高等教育的华文人才做出了一定的贡献，并有助于推动我国华文教育的整体发展。

拉大团队送爱与关怀到宋小



本校生为宋小生带来了一系列的活动，如扯铃、手工、捏面人等。

拉曼大学霹雳校区的学生于6月至8月间到宋溪榴莲华小（宋小）进行下乡服务。本着“我们关怀，我们行动”的信念，本校生为该华小的学生带来了多项活动，其中包括扯铃、跆拳道、手工、激励讲座及英语训练营等，从而把爱己关怀传到给小学生们。

在本校生的耐心教导下，宋小的师生都掌握了扯铃的基本功，且乐在其中。更重要的是小学生们能够从扯铃活动中认识了其中所蕴含的华族文化。另外，宋小生在跆拳道教学活动中，学习了跆拳道的基本步法和招式，达至强身健体，增强本身的自卫能力。

除此之外，本校生也多加发挥美工天分，教导宋小生利用废纸进行折纸艺术及各种颜色的面粉搓成可爱的动物。捏面人活动让学生兴致勃勃地尝试捏出自己喜爱的动物，充分地发挥了他们的创意。接着，训练学生听、说技能的英语训练营让学生勇敢地以英语传达讯息。而在激励讲座中，本校生更引导宋小四、五和六年级学生如何定下并达至自己的目标。

此外，为了配合宋小美化校园计划，本校生也在这期间为宋小画了几幅美丽壁画，为校园添上了新装。



本校生与宋小师生的大合照。

拉曼大学中华研究院团队在2014年8月28日及29日到访怡保多个客家社区进行交流与考察。在中华研究院副院长黄文斌副教授带领下，随行的访问学者还包括台湾交通大学客家文化学院副院长潘美玲副教授及厦门大学华侨华人研究院研究员锺大荣博士。

考察团一行人在首天拜访了已有114年历史的霹雳嘉应会馆，并获得该会馆副主席拿督丘才干等人的接待。丘副主席于开幕致词上为本校的考察团简述了公会的会史，并展示了许多相关的历史文物。

黄副院长致词时表示，怡保是一个拥有许多客家人的地方，而且也深具影响力。他认为，怡保作为马来西亚客家锡矿家聚集的重要据点，绝对有条件让海外客家文化研究者进行研究工作。他建议借助台湾的经验，以发展怡保的客家文化，将其打造成锡矿文化经济、美食和习俗文化为主的旅游据点。

随后，从台湾远道而来的潘副院长也为出席者主讲了



考察团一行人拜访霹雳客属公会，左起锺大荣、黄文斌、潘美玲及学生。



黄文斌（左一）赠送纪念品给丘才干（左二）。

以《国家政策与台湾客家族群产业》为题的讲座，并分享了台湾的客家族群所从事的其中两大行业，即北部客家人所从事的樟脑业和南部客家人所从事的烟草业。虽然在台湾盛行一时的这两大行业已步入黄昏，不过这已经成为一代客家人的群体记忆。时代的变迁见证了产业的转变，可是却抹不去历史的记忆。当台湾客家人不再采樟脑和种植烟草后，便有一部分人士把它打造成文化旅游生态，以另一个面貌呈现给世界。

此项为期两天的考察团也到访了怡保明德小学、闲真别墅、霹雳华人矿务公会、怡保坝罗古庙及霹雳客家公会，并与这些团体的理事及代表会面及进行交流。

拉大团队拜访怡保客家社区

Larian galakkan gaya hidup sihat

Berbekalkan semangat kesukanan yang tinggi, seramai 800 peserta mengambil bahagian dalam Larian Jarak Jauh 12km UTAR Kampus Perak yang diadakan pada 24 Ogos 2014. Dianjurkan oleh Jabatan Hal-Ehwal Pelajar (DSA), pelepasan dilakukan oleh Ahli Majlis UTAR Encik Hew Fen Yee seawal jam 7.00 pagi bertempat di Kompleks Sukan UTAR.

Pengerusi penganjur, Encik Theva Das Sankaran dari Unit Sukan dan Rekreasi DSA berkata, "Larian sejauh 12km ini merupakan acara tahunan UTAR yang diadakan sejak 2011. Tujuan utama acara ini diadakan adalah untuk memupuk gaya hidup sihat dalam kalangan warga universiti dan masyarakat setempat."

Larian ini terbuka kepada semua warga UTAR dan juga orang awam. Ia dibahagikan kepada empat kategori iaitu kategori Lelaki UTAR, Wanita UTAR, Terbuka Lelaki dan Terbuka Wanita. Program tersebut menyaksikan penglibatan peserta-peserta dari Taiping, Petaling Jaya dan Sungai Long yang membanjiri kompleks sukan seawal jam 5.30 pagi untuk sesi pendaftaran serta pembahagian cenderahati program.

Turut hadir serta mengambil bahagian dalam acara ini termasuklah Naib Presiden UTAR (Pembangunan Pelajar dan Perhubungan Alumni) Prof Madya Dr Teh Chee Seng, Ketua DSA Kampus Perak Chiang Jeng Fong, penaja-penaja, staf dan para pelajar.

Di bawah kategori Lelaki UTAR, pelajar program Perbankan dan Kewangan Goh Chun Seng, pelajar program Pengajian Asasi Sastera Collymore Tang Yong Fung, dan staf UTAR Tan Guang Pin masing-masing



Peserta larian

telah merangkul tempat pertama, kedua dan ketiga. Di bawah kategori Wanita UTAR pula, pelajar program Pengajian Asasi Sastera Heah Wan Qing, pelajar program Kewangan Wong Kah Wei dan pelajar program Pengurusan Perniagaan Teong Lee Sing masing-masing memenangi tempat pertama, kedua dan ketiga.

Peh Yong Heng dari Teluk Intan, pelajar antarabangsa Ipoh Taj International College Mahathir bin Hyder Ali, dan S. Tanakendiran dari Taiping masing-masing menduduki

tempat pertama, kedua dan ketiga dalam kategori Terbuka Lelaki. Di samping itu, bagi kategori Terbuka Wanita, Sin Pei Chan, A. Previna dan Loke Khuan Mee masing-masing muncul johan, naib johan dan tempat ketiga.

Pemenang tempat pertama, kedua dan ketiga dari setiap kategori masing-masing membawa pulang RM300, RM200 dan RM100 setiap seorang di samping trofi, pingat dan sijil penyertaan.



Taklimat oleh pengerusi penganjur sebelum acara dimulakan



A. Previna di garisan penamat



Theva Das (kiri) menyampaikan cenderahati kepada Hew

UTAR CAMPUSES

Petaling Jaya Campus

(KPT/JPS/DFT/US/B07)

9 Jalan Bersatu 13/4
46200 Petaling Jaya
Selangor Darul Ehsan

Kuala Lumpur Campus

(KPT/JPS/DFT/US/W05)

Jalan Genting Kelang
53300 Kuala Lumpur

Sungai Long Campus

(KPT/JPS/DFT/US/B12)

Lot PT 21144
Jalan Sungai Long
Bandar Sg. Long
Cheras, 43000 Kajang

Perak Campus

(KPT/JPS/DFT/US/A04)

Jalan Universiti
Bandar Barat
31900 Kampar